

# SERVICE INFORMATION LETTER

SIL # 171017-23072-1400WE

**SUBJECT:** The outer diameter of the heat shrink tubing on the Speed Pickup is too large and causes difficulty during installation into the NHA.

## REVISION HISTORY TABLE

Revision	Change Description	Release Date
A	Original Release	10/23/2017

## SERVICE INFORMATION LETTER

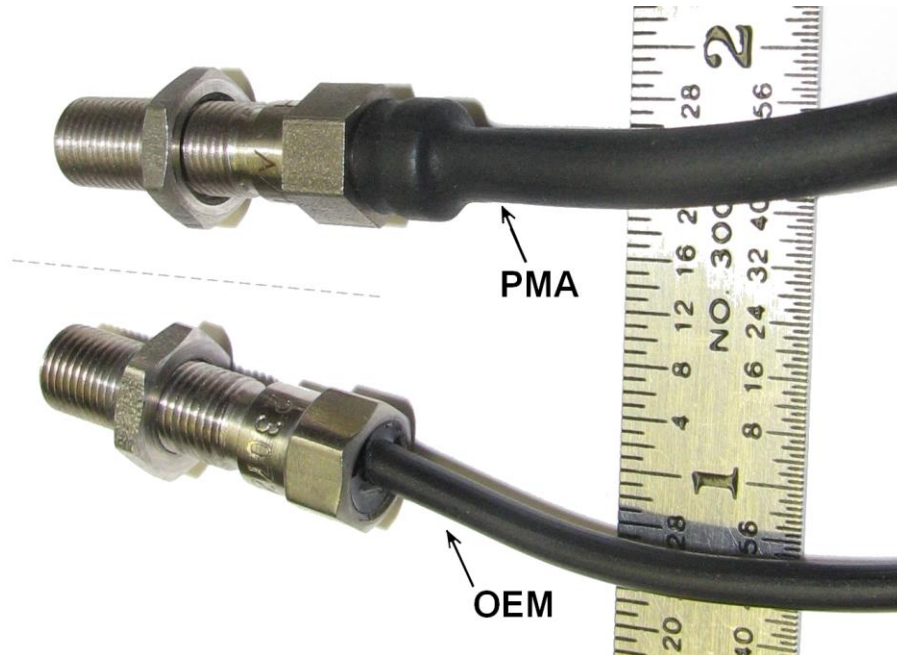
### 1. Planning

#### a. Effectivity

Wencor P/N	NHA P/N	NHA Description	ATA	Aircraft Application
23072-1400WE Speed Pickup Assy	23080-013, -13A, -013B, -014, -014A	DC Starter-Generator	24-30-12	Embraer EMB-145ER -145LR -135ER -135LR

#### b. Reason:

Some customers have complained that the OD size of the heat shrink tubing is causing difficulty installing the Wencor Speed Pickup. The OD size of the Wencor Speed Pickup is approximately 0.175", while the OD size of the OEM is only approximately 0.115". The Speed Pickup wires that are covered by heat shrink tubing must pass through a grommet when installed on the NHA DC Starter-Generator as shown in Figure 3. The larger size heat shrink is more difficult to pass through the grommet.



**Figure 1**, Side-by-Side Image of Speed Pickup Showing Heat Shrink Tubing

## SERVICE INFORMATION LETTER

### c. Background

The Speed Pickup Assy is installed onto the DC Starter-Generator and is used to provide speed information of the Starter-Generator rotating shaft to the Generator Control Unit (GCU) for proper operation. The larger size heat shrink OD does not affect operation of the Speed Pickup or the Starter-Generator, only some difficulty during installation.

### d. Safety

The condition described in this SIL does not affect aircraft safety because once the Speed Pickup Assy is installed, there is no other affect from the larger size heat shrink tubing.

## 2. Recommendations

Any Wencor Speed Pickup Assemblies that are currently uninstalled that have been purchased prior to the date of this SIL may be returned to Wencor for replacement at the discretion of the end user.

However, any Wencor Speed Pickup Assemblies that are currently installed into the NHA, passed the required CMM testing for the NHA and are in service, may remain in service at the discretion of the end user with no risk to normal operation.

## 3. Compliance

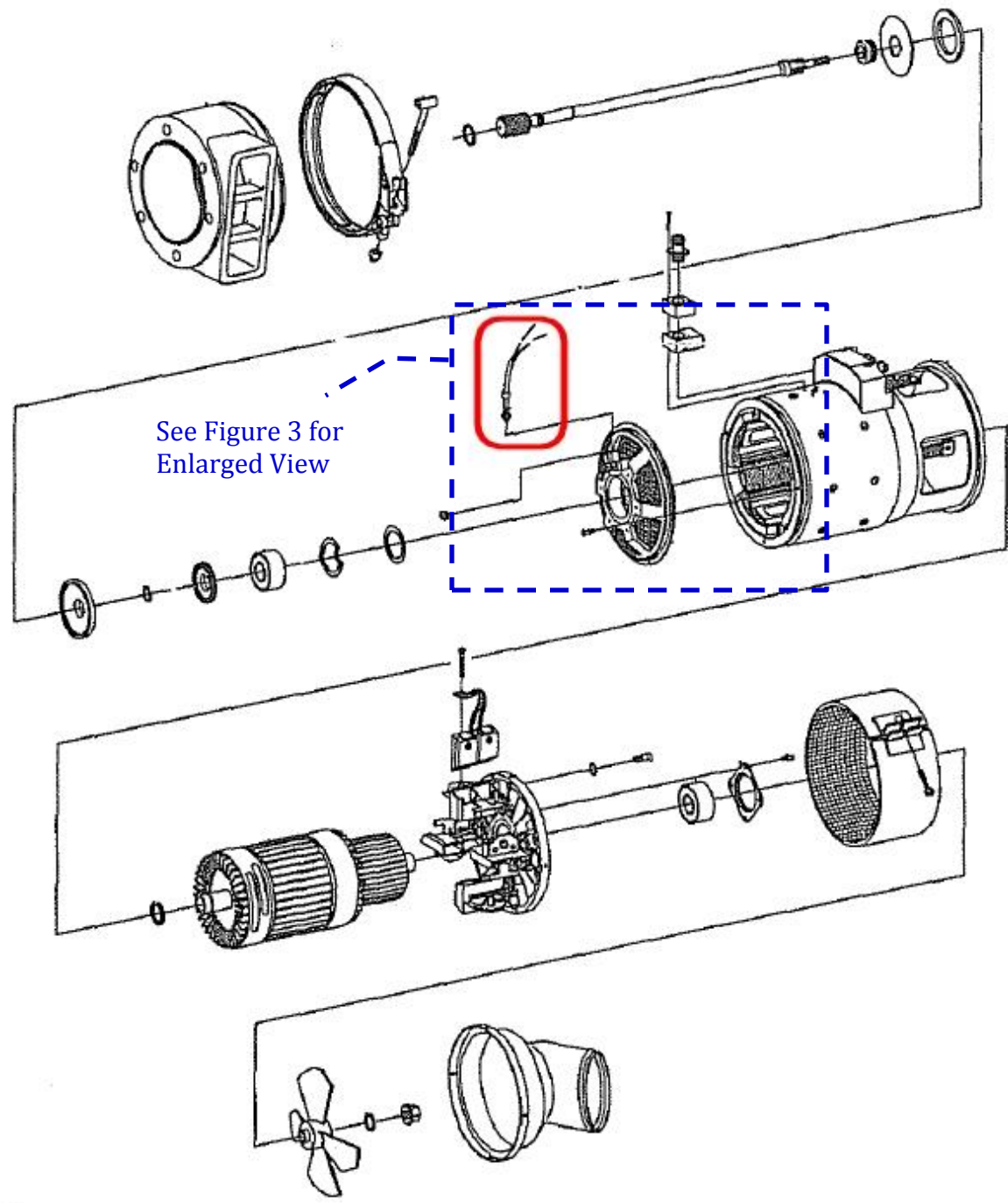
There is no compliance time associated to this SIL.

## 4. Material

Wencor Speed Pickup Assemblies, PN 23072-1400WE that require replacement as a result of this Service Information Letter will be covered free of charge under the Wencor material warranty.

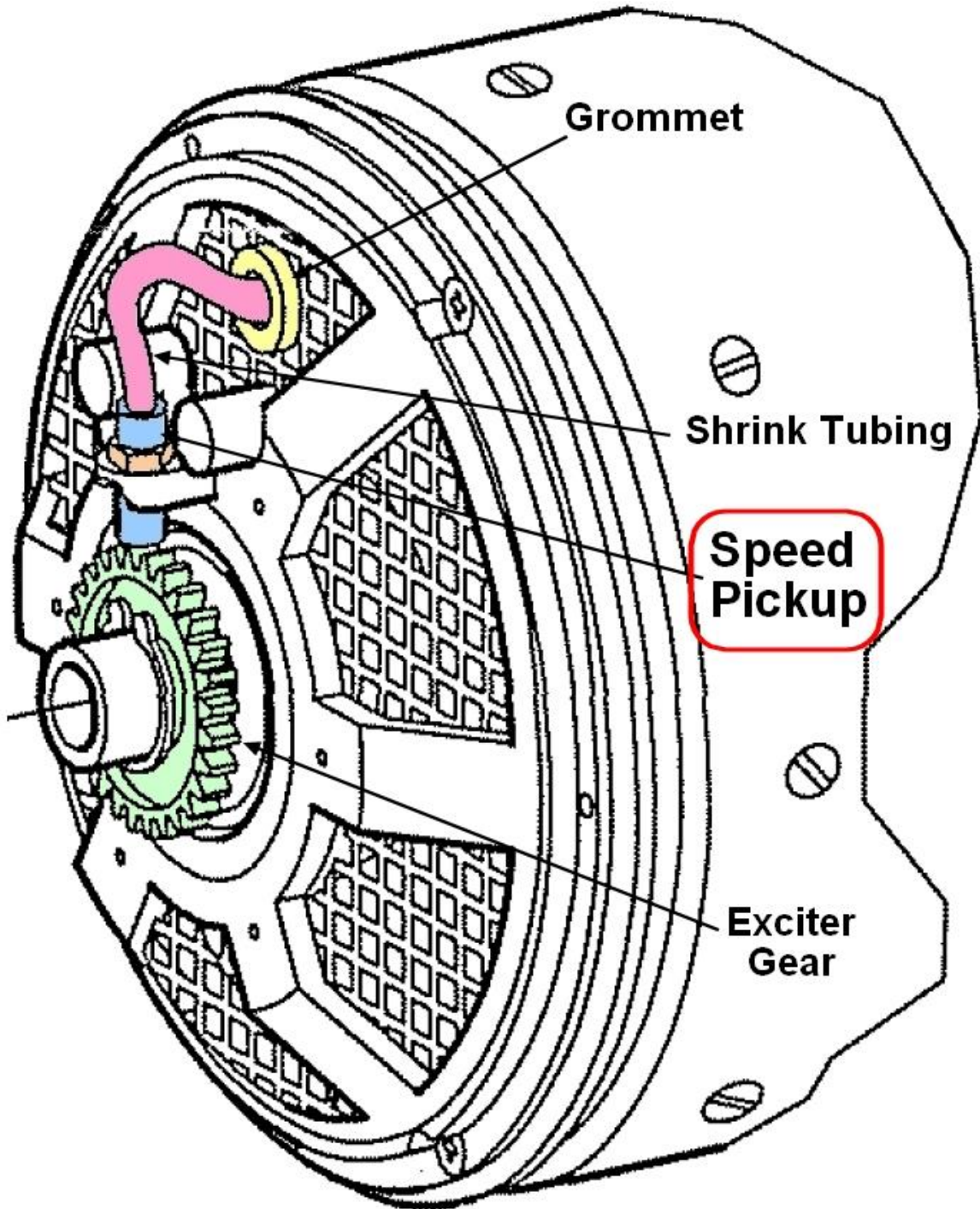
If there are any questions regarding this Service Information Letter, please contact the applicable Wencor sales representative by calling 801-489-2000 or email: [sales@wencor.com](mailto:sales@wencor.com). For technical questions regarding this SIL please contact Jon Bies at [jbies@wencor.com](mailto:jbies@wencor.com).

# SERVICE INFORMATION LETTER



**Figure 2**, Exploded View of Starter-Generator Showing Speed Pickup Assy

# SERVICE INFORMATION LETTER



**Figure 3, Installed Image of Speed Pickup Assy**