

SERVICE INFORMATION LETTER

Subject: Rough Finish on Sealing Surface of PN 59276EWE

1. Planning

a. Effectivity

Wencor P/N	NHA P/N	NHA Description	ATA	Aircraft Application
59276EWE	AV16E1209D	Shutoff Valve	28-01-01 28-01-02 28-01-03	B737-100 thru -900

b. Reason:

A customer discovered during CMM testing of the NHA Shutoff Valve that the Seal had a rough surface that allowed unacceptable fuel leakage.

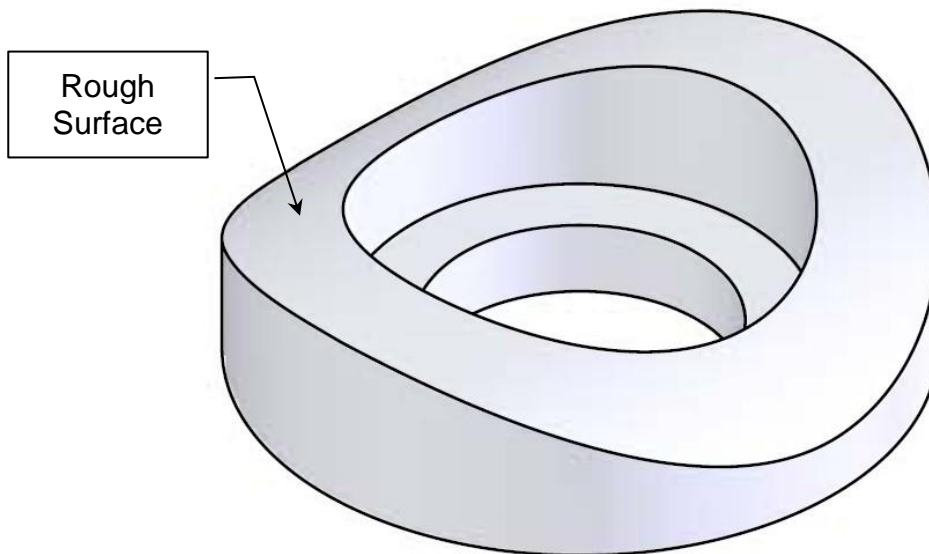


Figure 1, ISO View of Seal Showing Location of Rough Surface

c. Background

The Seal is installed into the Shutoff Valve. The Shutoff Valve controls fuel flow delivery from aircraft fuel tank #1 to the Auxiliary Power Unit (APU). The Seal prevents low pressure (1-3 psig) fuel flow around the valve rotor when the valve is in the off position; see Figure 2 for installed view.

d. Safety

The rough surface on the Seal may allow fuel leakage past the valve rotor, however this leakage would remain internal to the valve. This leakage would also be very small (few drops) because the fuel pressure is not energized when the valve is in the off position. The CMM testing of the NHA Shutoff Valve will detect any unacceptable fuel leakage due to a rough surface of the Seal and provide instructions to replace the defective Seal if needed.

2. Recommendations

For any Wencor Seal that is in the customer stock and not installed into the NHA Shutoff Valve, do a visual examination of the subject surface on the Seal. This surface is required to have a 32 μ in Ra surface finish. If there are any surface flaws or other surface damage that may prevent a good seal with the mating part, please return the Seal to Wencor as described in section 4 below.

For any Wencor Seal that results in a failure to pass the NHA Shutoff Valve CMM testing due to a rough sealing surface, please return the Seal to Wencor as described in section 4 below. Wencor Seal's that pass the testing may remain in service.

3. Compliance

There is no compliance date or time frame for this SIL.

4. Material

Wencor Seal's that require replacement as a result of this Service Information Letter will be covered free of charge under the Wencor material warranty. If there are any questions regarding this Service Information Letter, please contact the applicable Wencor sales representative by calling 801-489-2000 or email: sales@wencor.com. For technical questions please contact Jon Bies at jbies@wencor.com.

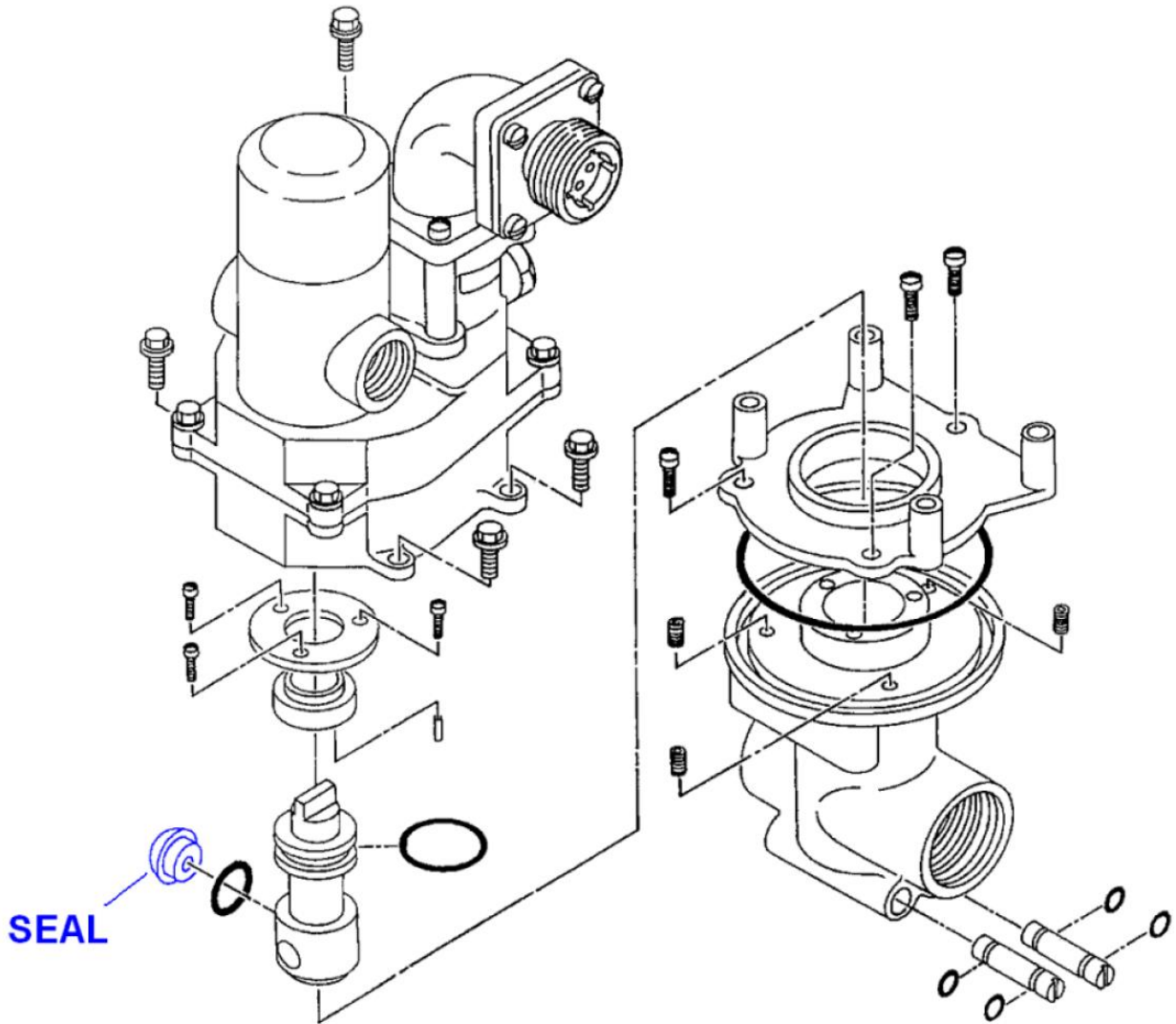


Figure 2, Installed Seal in Shutoff Valve